

3" HYDRAULIC SUBMERSIBLE SLUDGE / SLURRY PUMP

MODEL S3VHL (Aluminum Body)

MODEL S3VHLDI (Ductile Iron Body)

3" (100 mm) Discharge

The S3VHL is designed to pump sludges, slurries and liquids with stringy solids. Uses for this pump include liquid manure pumping, water treatment slurries and clarifier tanks. This versatile pump is offered in aluminum or ductile iron construction.



FEATURES

- **Small Overall Size Allows Pump To Fit Through 20" Diameter Opening**
- **Fully Recessed Vortex Impeller (Will Pass 3" Semi-Solids)**
- **Lightweight Aluminum and Durable Ductile Iron models are standard**
- **Variable Speed Hydraulic Drive**
- **Oil Lubricated Seals (Can Run Dry)**
- **Can be Bolted Directly Into a Pipeline or Fitted with a Suction Hose for Vacuuming Underwater**
- **Safe Hydraulic Drive can be used where Electric Power is Hazardous or Impractical**
- **Operates with Our HT20 to HT30 Power Units or Other Hydraulic Power Sources with flows of 10 - 18 GPM**

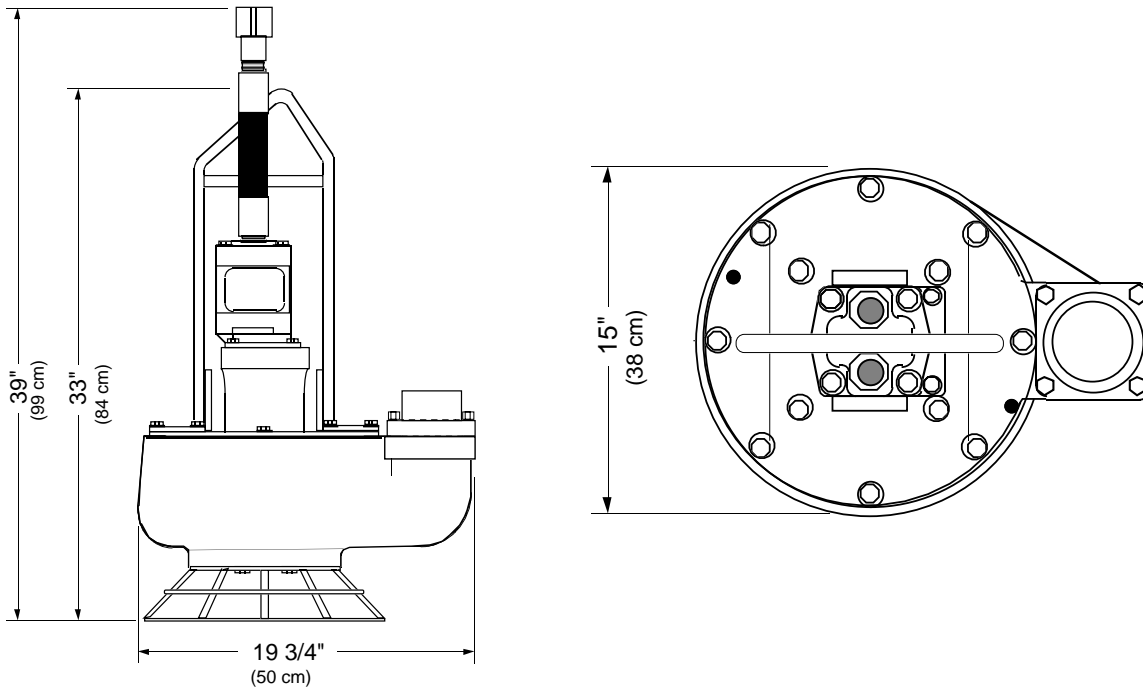
SPECIFICATIONS

| | |
|--------------------------------|----------------------------------|
| WEIGHT: (Aluminum)..... | 155 lbs. (70kg) |
| (Ductile Iron)..... | 289 lbs. (131 kg) |
| HEIGHT:..... | 33" (84 cm) |
| DIAMETER(@ widest point):..... | 19 3/4" (50 cm) |
| DISCHARGE:..... | 3", NPT(F) |
| INLET FLANGE:..... | Drilled for 3" and 4", 125# ASA |
| SOLIDS HANDLING:..... | 3" (8 cm) |
| HOSE PORTS:..... | 1" SAE |
| PUMP BODY: (S3VHL)..... | Heat Treated Aluminum |
| (S3VHLDI)..... | Ductile Iron |
| IMPELLER:..... | Ductile Iron |
| WEAR RING and WEAR PLATE..... | Stainless Steel |
| SHAFT:..... | Stainless Steel |
| SHAFT SEAL:..... | Carbon/Ceramic (Std) |
| | Silicon Carbide (Optional) |
| ELASTOMERS:..... | Buna N (Std) |
| HYDRAULIC OIL:..... | 214-320 s.s.u. @ 100°F (64°C) |
| INPUT FLOW:..... | Max 18 GPM (68 LPM) |
| OPERATING PRESSURE:..... | Max 3000 PSI (204 Bar) |
| POWER SOURCE:..... | Any Open Center Hydraulic System |

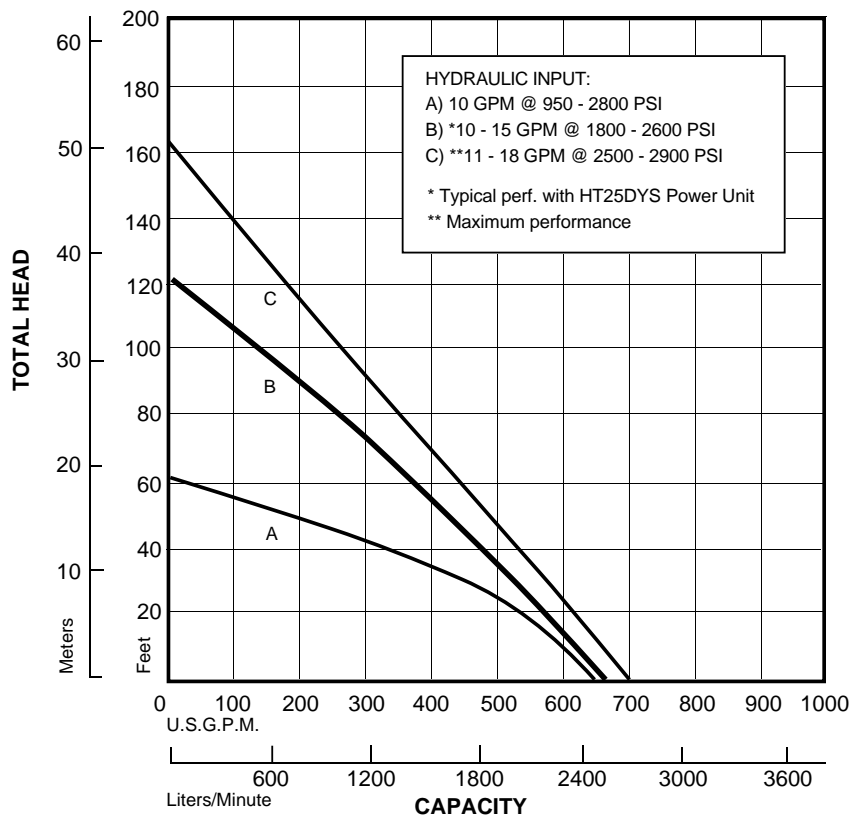
A0100

Specifications subject to change without notice.

Model S3VHL Overall Dimensions



S3VHL Typical Performance



Since we are constantly working to improve our products, specifications are subject to change without notice.



P.O. Box 537, Mt. Holly, NJ 08060, USA
 Website: www.hydra-tech.com

Phone: 609-267-5393 Fax: 609-261-8070
 E-Mail: htpump@hydra-tech.com