

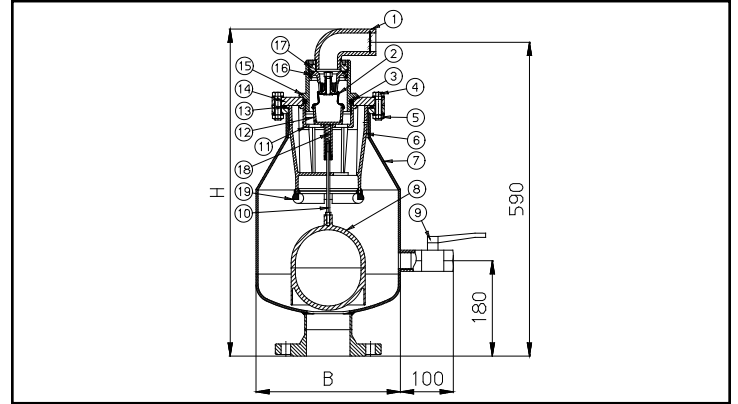
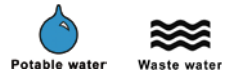
# Automatic Air Release Valve

For Potable and Waste Water



## Model 986

Automatic air and vacuum release valve for operating range: 0 – 250 PSI (17.2 Bar)



Type	Size ANSI/DN	Flange Maximum Pressure PSI/Bar	Body Material	Overall Width B Inch/mm	Overall Height H Inch/mm	Weight lbs./Kg
-01	2" FNPT	---	Steel	10.63" 270 mm	23.2" 600 mm	50.7 lbs. 23.0 Kg
-02	2" FNPT	---	Stainless Steel	10.63" 270 mm	23.2" 600 mm	50.7 lbs. 23.0 Kg
-03	2" DN 50	250 PSI 17.2 Bar	Steel	10.63" 270 mm	24.21" 615 mm	51.8 lbs. 23.5 Kg
-04	2" DN 50	250 PSI 17.2 Bar	Stainless Steel	10.63" 270 mm	24.21" 615 mm	51.8 lbs. 23.5 Kg
-05	3" DN 80	250 PSI 17.2 Bar	Steel	10.63" 270 mm	24.21" 615 mm	55.1 lbs. 25.0 Kg
-06	3" DN 80	250 PSI 17.2 Bar	Stainless Steel	10.63" 270 mm	24.21" 615 mm	55.1 lbs. 25.0 Kg
-07	4" DN 100	250 PSI 17.2 Bar	Steel	10.63" 270 mm	24.21" 615 mm	57.3 lbs. 26.0 Kg
-08	4" DN 100	250 PSI 17.2 Bar	Stainless Steel	10.63" 270 mm	24.21" 615 mm	57.3 lbs. 26.0 Kg
-09	6" DN 150	250 PSI 17.2 Bar	Steel	10.63" 270 mm	24.21" 615 mm	61.7 lbs. 28.0 Kg
-10	6" DN 150	250 PSI 17.2 Bar	Stainless Steel	10.63" 270 mm	24.21" 615 mm	61.7 lbs. 28.0 Kg
-11	8" DN 200	250 PSI 17.2 Bar	Steel	10.63" 270 mm	24.21" 615 mm	72.8 lbs. 33.0 Kg
-12	8" DN 200	250 PSI 17.2 Bar	Stainless Steel	10.63" 270 mm	24.21" 615 mm	72.8 lbs. 33.0 Kg

# Automatic Air Release Valve

For Potable and Waste Water



## Materials:

No.	Component	Series – Epoxy-coated Steel	Series - Stainless Steel
1	Outlet elbow with strainer, 2"	Polyethylene (PE) 100 <sup>1</sup>	Polyethylene (PE) 100 <sup>1</sup>
2	Cup seal with retaining ring	Buna N <sup>2</sup>	Buna N <sup>2</sup>
3	O-ring 79 x 7 mm	Buna N <sup>2</sup>	Buna N <sup>2</sup>
4	Hex Head Bolt	Stainless Steel	Stainless Steel
5	Hexagon nut	Stainless Steel	Stainless Steel
6	Deflector	Polyethylene (PE) <sup>1</sup>	Polyethylene (PE) <sup>1</sup>
7	Body	Steel - epoxy powder coated <sup>3</sup>	Stainless Steel
8	Float	Delrin <sup>®</sup> POM <sup>4</sup>	Delrin <sup>®</sup> POM <sup>4</sup>
9	Ball valve, 1"	Stainless Steel	Stainless Steel
10	Float spindle, complete	Stainless Steel	Stainless Steel
11	Body nut with grid	Delrin <sup>®</sup> POM <sup>4</sup>	Delrin <sup>®</sup> POM <sup>4</sup>
12	Membrane holder, complete	Delrin <sup>®</sup> POM <sup>4</sup>	Delrin <sup>®</sup> POM <sup>4</sup>
13	O-ring 157 x 6 mm	Buna N <sup>2</sup>	Buna N <sup>2</sup>
14	Clamping flange	Steel - epoxy powder coated <sup>3</sup>	Stainless Steel
15	Valve body & cover	Delrin <sup>®</sup> POM <sup>4</sup>	Delrin <sup>®</sup> POM <sup>4</sup>
16	Valve basket with Buna N O-rings	Delrin <sup>®</sup> POM <sup>4</sup>	Delrin <sup>®</sup> POM <sup>4</sup>
17	Threaded ring	Delrin <sup>®</sup> POM <sup>4</sup>	Delrin <sup>®</sup> POM <sup>4</sup>
18	Pressure spring	Stainless Steel	Stainless Steel
19	Damper ring	Buna N <sup>2</sup>	Buna N <sup>2</sup>

Notes: <sup>1</sup> Polyethylene <sup>2</sup> Buna N Rubber <sup>3</sup> Steel 360N/mm<sup>2</sup> <sup>4</sup> Polyoximethylene

## Features:

Automatic and infinitely variable air valve for potable water and waste water applications Medium: potable water, domestic waste water

Maximum Operating Pressure: 250 PSI (17.2 Bar)

Operating Range: 0 – 250 PSI (17.2 Bar)

Maximum Air Release Capacity: 135 CFM (230 m<sup>3</sup>/hr)

Valve bodies of epoxy-coated steel or stainless steel

Valve seat does not contact the medium (air cushion).

Two connections for effective flushing during maintenance work (top inlet flushing connection)

All mechanical parts are manufactured of corrosion-resistant materials; valve body is epoxy-coated steel or stainless steel

Read and follow the operating and maintenance instructions

## Valve Maintenance:

Air valves must be tested for function and maintained at least once per year. Valve must be shut off and flushed at both lateral

**DJ Gongol & Associates, Inc.**

4801 Pommel Place

West Des Moines, IA 50265

515-223-4144

www.gongol.net

sales@gongol.net