



# Discharge Check Valves

## 4" and 6"



LEFT HAND CHECK VALVE SHOWN

### SPECIFICATIONS

- Valve Body:** Gray Iron 30.
- Valve Arm:** 316 Stainless Steel.
- Wetted Hardware:** 303/304 Stainless Steel.
- Valve Weight:** Gray Iron 30.
- Flap Valve:** Nitrile.
- O-Rings:** Buna-N.

### DESCRIPTION

Available in 4" or 6" (102 mm or 152 mm) Sizes for Left Hand (LH) or Right Hand (RH) Piping Installations. Valves are Weighted and Spring-Loaded to Ensure Positive Closure. Full Body Design Allows for Passage of 3" (76,2 mm) Diameter Solids.

Solid Cast Iron Body and Simple Design Provide Dependable Service and Easy Maintenance. Access Cover Allows Servicing of all Internal Parts Without Removing Check Valve From System Piping.

Check Valve Assemblies Include a Stainless Steel Seat and Spring.

Mounting Hardware Not Included.

Size	Part Number	
	Left Hand	Right Hand
4" (102 mm)	46421-214	46421-215
6" (152 mm)	46421-416	46421-417



GORMAN-RUPP PUMPS

[www.grpumps.com](http://www.grpumps.com)

Specifications Subject to Change Without Notice



DJ Gongol & Associates, Inc.

PO Box 180 | West Des Moines, IA 50061-0180  
4328 North Dawson | Cumming, IA 50061  
515-223-4144 | 515-981-0581 fax  
[info@gongol.net](mailto:info@gongol.net)

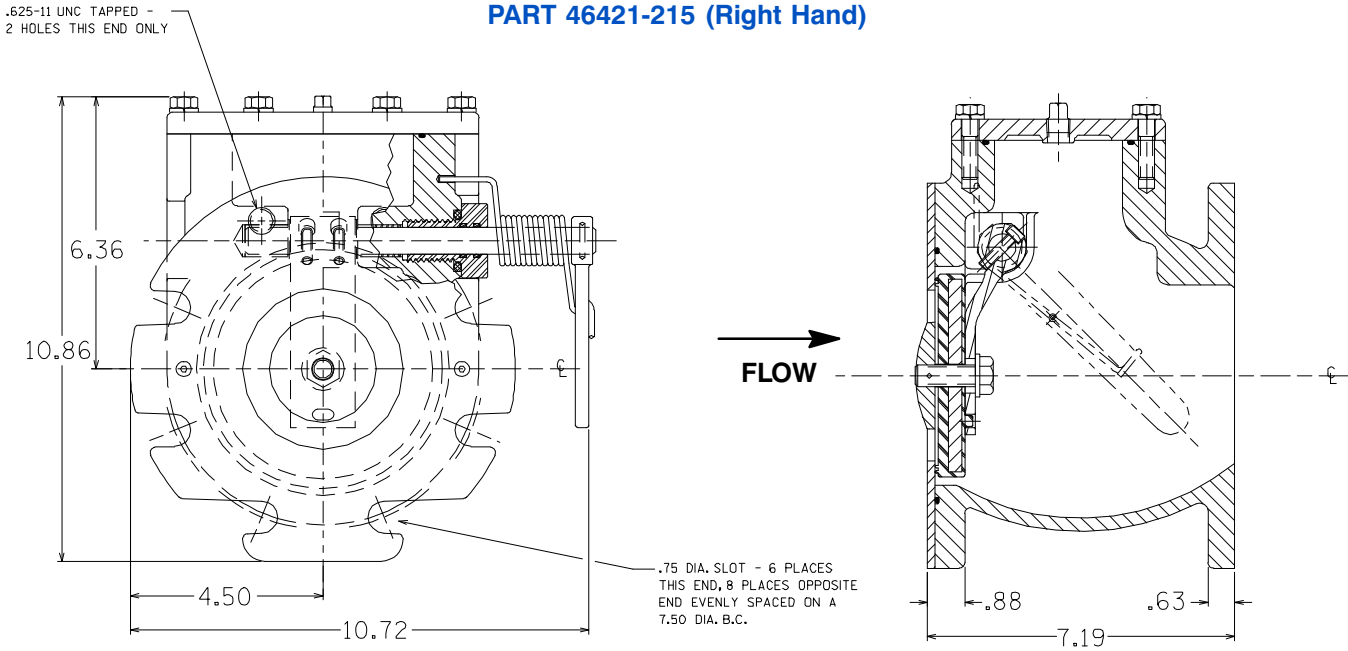
**Specification Data**

APPROXIMATE  
DIMENSIONS and WEIGHTS

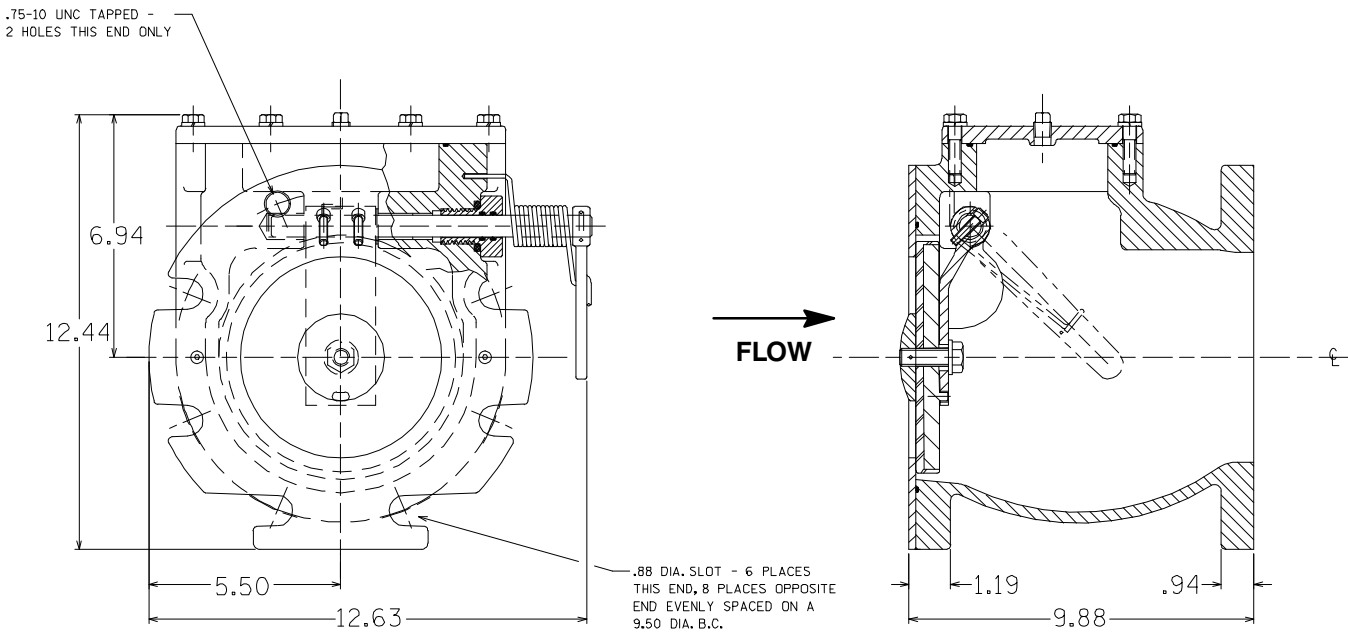
NET WEIGHT: 4" (102 mm) 47 LBS. (21,3 KG.)  
NET WEIGHT: 6" (152 mm) 78 LBS. (35,4 KG.)

SECTION 10, PAGE 1300

**4" (102 mm) VALVE ASSEMBLY**  
**PART 46421-214 (Left Hand)**  
**PART 46421-215 (Right Hand)**



**6" (152 mm) VALVE ASSEMBLY**  
**PART 46421-416 (Left Hand)**  
**PART 46421-417 (Right Hand)**



**GORMAN-RUPP PUMPS**

www.grpumps.com

Specifications Subject to Change Without Notice



**DJ Gongol & Associates, Inc.**

PO Box 180 | West Des Moines, IA 50061-0180  
4328 North Dawson | Cumming, IA 50061  
515-223-4144 | 515-981-0581 fax  
info@gongol.net